



WSM7L



7-Quart Planetary Mixer

7-Quart Planetary Mixer

Luna⁷



MAIN FEATURES

- Large, 7-quart stainless steel bowl with stainless steel handle
- Heavy duty, ½ HP motor
- Front-mounted controls and LED power light
- 11 mixing speeds with variable speed control dial
- Removable, clear-view splash guard with feed chute
- Tilt-back head for easy removal of attachments and cleaning
- Heavy-duty head-lift/release lever
- Gear driven, permanent lube transmission
- Thermal overload protection
- Includes stainless steel bowl, chef's whisk, dough hook and mixing paddle
- Dishwasher-safe accessories
- Non-slip rubber feet
- Limited Two-Year Motor Warranty, One Year Parts & Labor

ELECTRICAL

Voltage: 120

Frequency: 60Hz

Watts: 350

Amps: 4.2

Plug Type: NEMA 5-15P ⓘ

Cord Length: 6 feet



SALES FEATURES

Equipped with a powerful, ½ HP motor, this heavy-duty, 7 qt. planetary mixer is perfect for food-service operations in need of a dependable mixing solution. Quickly mix ingredients for baked goods and desserts. Power through batters, mashed potatoes, and more. The variable control with 11 mixing speeds ensures efficiency and versatility. The tilt-back head makes it easy to add and remove attachments and simplifies cleanup.



@waringcommercial

©2020 Waring Commercial
 314 Ella T. Grasso Avenue, Torrington, CT 06790
 Tel. 800-492-7464 • Fax 860-496-9008

waringcommercialproducts.com

WSM7L



PARTS & ACCESSORIES



WSM7LMP Stainless Steel Mixing Paddle



WSM7LW Stainless Steel Chef's Whisk



WSM7LDH Stainless Steel Dough Hook

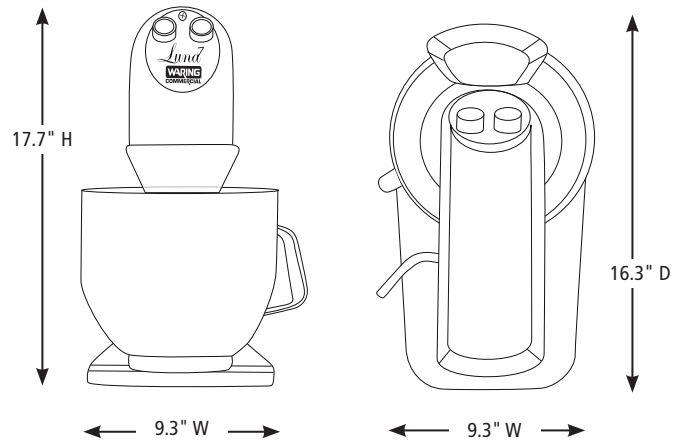
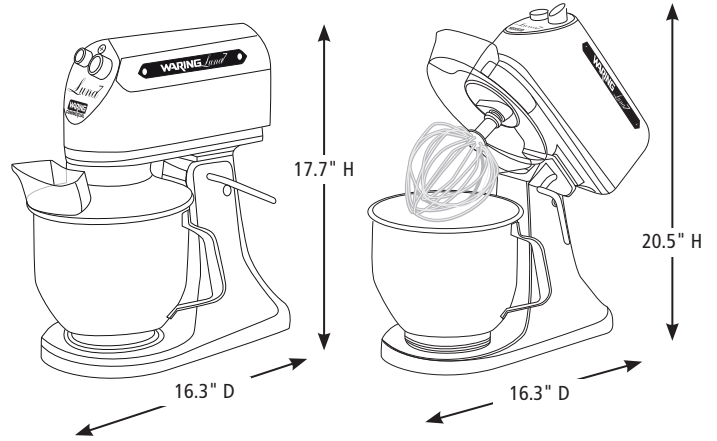


WSM7LSG Splash Guard/Feed Chute



WSM7LBL 7-Quart Stainless Steel Bowl

DIMENSIONS



Out of Box Weight: 34.7 lb.

ORDERING INFORMATION	#STD. PKG.	GIFTBOX WEIGHT	CUBIC FEET	BOX DIMENSIONS D X W X H	UPC	CASE PKG.	MC WEIGHT	MC DIMENSIONS D X W X H	MBC
WSM7L – 7-Quart Planetary Mixer	1	39.1	1.9	19" x 12.75" x 21.25"	040072087844	1	41.55	19.5" x 14" x 21.875"	10040072087841



@waringcommercial

©2020 Waring Commercial
314 Ella T. Grasso Avenue, Torrington, CT 06790
Tel. 800-492-7464 • Fax 860-496-9008

waringcommercialproducts.com

19WC064943/ REV 12/19